

**YCL20 SERIES**



**Input: 100-240VAC/ 220-240VAC 50/60Hz**  
**Output Voltage: 12V /24V/36V/48V DC**  
**Rated Power: 20W max**

**Features**

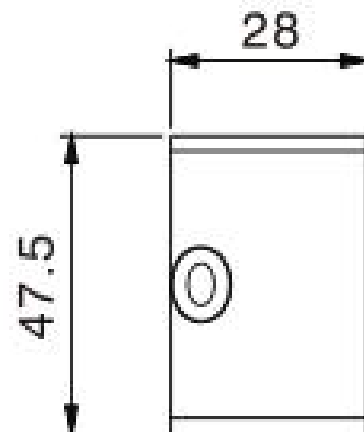
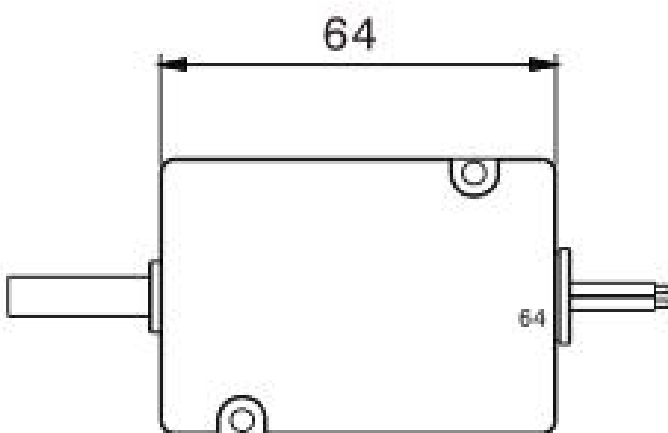
- Universal Input: 100-240VAC/ 220-240VAC 50/60Hz
- RoHS Compliance
- EMI Standard EN55015:2019+A11
- Safety Standard: EN61347-1:2015, EN61347-2-13:2014+A1:2017, UL8750
- Inrush current < 65A AC230V/50Hz
- High efficiency & low power consumption
- Short Circuit, Over Current and Over Voltage Protection
- Over temperature protection
- 100% full load burn-in test
- Dimming available

**Application**

- LED lights bring
- LED indoor lighting
- LED decorative lighting
- LED building lighting



**■ Dimensions and Installation**



## YCL20 SERIES

| MODEL DETAIL SPEC. |                            | YCL20-1201670  | YCL20-2400830 | YCL20-1200550 | YCL20-1200410 |
|--------------------|----------------------------|--|---------------|---------------|---------------|
| INPUT              | Input Voltage:             | 100-240VAC/ 220-240VAC   |               |               |               |
|                    | Input Frequency:           | 50/60Hz  |               |               |               |
|                    | Inrush Current:            | 65A/230VAC at full load  |               |               |               |
|                    | AC Current:                | 0.12A/230VAC   |               |               |               |
|                    | Leakage Current:           | < 0.25mA/240VAC  |               |               |               |
|                    | Efficiency:                | 80%  | 80%           | 80%           | 80%           |
| OUTPUT             | DC Voltage:                | 12V  | 24V           | 36V           | 48V           |
|                    | Rated Current:             | 1670mA   | 830mA         | 550mA         | 410mA         |
|                    | Rated Power:               | 20W  | 20W           | 20W           | 20W           |
|                    | Voltage Tolerance:         | ±5.0%  | ±5.0%         | ±5.0%         | ±5.0%         |
|                    | Ripple and Noise:          | 120mVp-p   | 240mVp-p      | 360mVp-p      | 480mVp-p      |
|                    | Line Regulation:           | ±3%  |               |               |               |
|                    | Load Regulation:           | ±5%  |               |               |               |
|                    | Setup, Rise, Hold Up time: | 1s, 10ms/60ms 230VAC 1000ms, 1ms/25ms 115VAC at full load  |               |               |               |
| ENVIRONMENTAL      | Operating Temperature:     | -20 ~ +50 (Refer to "Derating Curve")  |               |               |               |
|                    | Storage Temp:              | -40°C ~ 85°C   |               |               |               |
|                    | Storage Humidity:          | 20 ~ 95% RH  |               |               |               |
|                    | Working Humidity:          | 20 ~ 95% RH non-condensing   |               |               |               |
| PROTECTION         | Over Load:                 | Above 130% rated output power<br>Protection type: Hiccup mode, recovers automatically after fault condition is removed           |               |               |               |
|                    | Over Voltage:              | 12V:13.8 ~ 16.2V 24V:27.6 ~ 32.4V 36V:41~48.6V 48V:55.2V~64.8V<br>Protection type: Shut down o/p voltage, re-power on to recover |               |               |               |
|                    | Over Temperature:          | Shut down o/p voltage, re-power on to recover  |               |               |               |
| SAFETY & EMC       | Safety Regulations:        | EN61347-2-13:2014+A1:2017,EN61347-1:2015;EN62493:2015  |               |               |               |
|                    | Withstand Voltage:         | I/P-O/P:3750KVAC   |               |               |               |
|                    | Harmonic                   | EN61000-3-2 Class C EN61000-3-3  |               |               |               |
|                    | EMI:                       | Compliance to EN55015  |               |               |               |
|                    | EMS :                      | Compliance to 61547:2009   |               |               |               |
| OTHER              | MTBF:                      | 200,000 Hours Minimum at Full Load at 25°C Ambient   |               |               |               |
|                    | Size:                      | 59*59*28mm   |               |               |               |
|                    | Weight:                    | 160g / pcs   |               |               |               |
|                    | Packaging:                 | 100PCS/CTN   |               |               |               |

**YCL20 SERIES**

**Deduction curve and temperature**



Environment temperature(°C)

**Minus output and input voltage curves**



Input voltage(VAC)

**Functional Diagram**

