

YSM45T SERIES



Input: 85-277VAC 50/60Hz
Output Voltage: 12V-48V DC
Rated Power : 45W max

Features

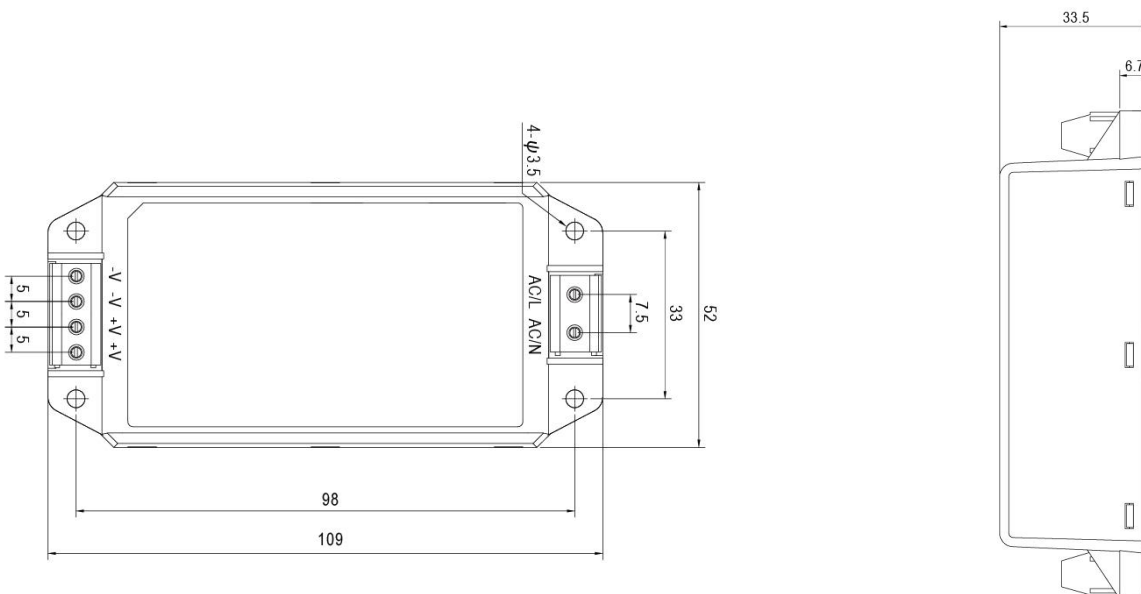
- Compact appearance
- International general input 85-45VAC
- No-load power consumption < 0.1 W
- EMC meets Class B requirements without additional components
- Wide operating temperature range from -30 °C to 70°C
- Protection type: short circuit / over load / over voltage
- Natural air cooling
- Class II isolation level
- By LPS
- Three Year Warranty

Application

- Industrial electrical installation
- Mechanical equipment
- Industrial automation equipment
- Handheld electronic equipment



■ Dimensions and Installation

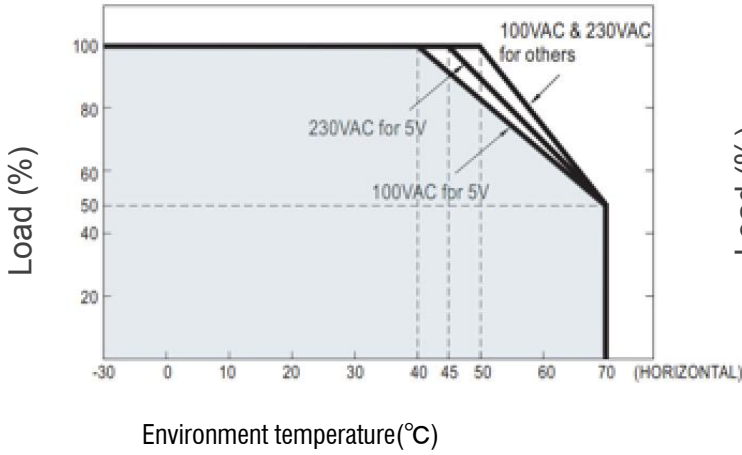


YSM45T SERIES

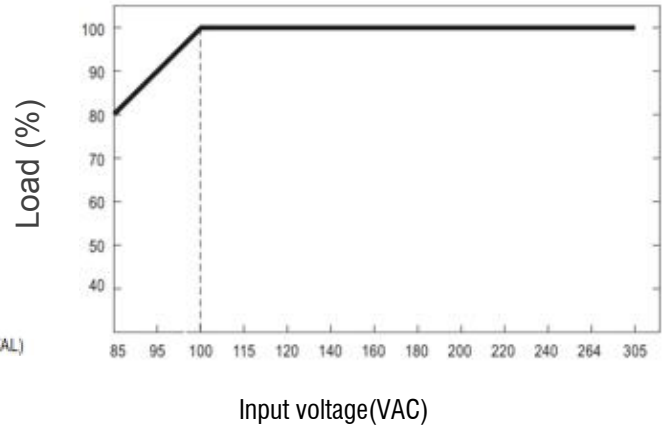
MODEL DETAIL SPEC.		YSM45T-1203800	YSM45T-1503000	YSM45T-2401900	YSM45T-4800940
OUTPUT	DC Voltage:	12V	15V	24V	48V
	Rated Current:	3.8A	3A	1.9A	0.94A
	Rated Power:	45W	45W	45W	45W
	Ripple and Noise:	150mVp-p	180mVp-p	200mVp-p	300mVp-p
	Line Regulation:	±0.5%	±0.5%	±0.5%	±0.5%
	Load Regulation:	±1%	±0.5%	±0.5%	±0.5%
INPUT	Input Voltage:	85-277VAC 50/60Hz			
	Efficiency:	87.5%	88.5%	89.5%	90.5%
	AC Current:	1.5A/115VAC 0.9A/230VAC 0.75A/277VAC			
	Inrush Current:	COLD START 30A/115VAC 60A/230VAC			
	Leakage Current:	< 0.25mA/277VAC			
PROTECTION	Over Load Protection:	115% ~ 160% rated output power, Protection type: Hiccup Mode recovers automatically after fault condition is removed			
	Over Voltage Protection:	115% ~ 135%, Protection Type: Clamp by Zener Diode			
SAFETY & EMC	Safety Regulations:	IEC62368-1, UL62368-1, TUV EN62368-1, EAC TP TC 004, -1 approved			
	Withstand Voltage:	I/P-O/P:3KVAC			
	EMC Emission:	EN55032(CISPR32), CNS13438, EN61000-3-2 Class A, EN61000-3-3			
OTHER	MTBF:	> 50000h			
	Size:	109*52*33.5mmmm			

YSM45T SERIES

Deduction curve and temperature



Minus output and input voltage curves



Functional Diagram

