

YSD30S SERIES



Input:90-265VAC 50/60Hz
Output Voltage: 5V-48V DC
Rated Power :30W max

Features

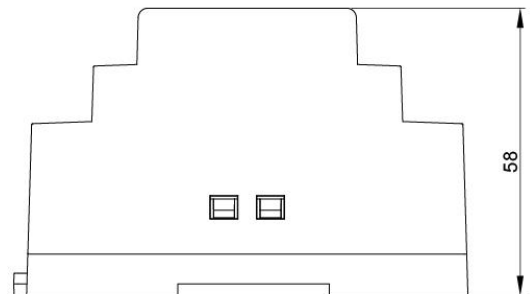
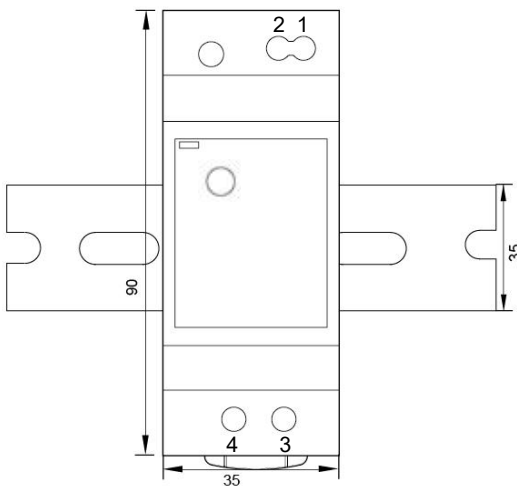
1. High Efficiency
2. 100% Full Load Burn-In
3. Low Ripple & Noise
4. Adjustable DC Voltage Output
5. Protections: Overload / Over Voltage / Short Circuit
6. Three-year Warranty
7. Isolation Class II

Application

- Access Control
- Home Control System
- Automation
- Communication Equipment
- Industrial Control Systems

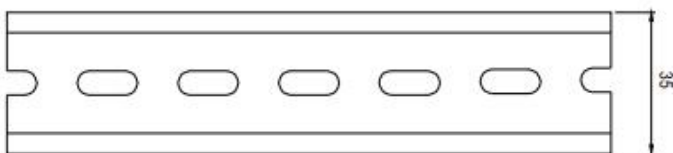


■ Dimensions and Installation



Terminal Pin No. Assignment

Pin No.	Assignment	Pin No.	Assignment
1	+V	3	AC/N
2	-V	4	AC/L



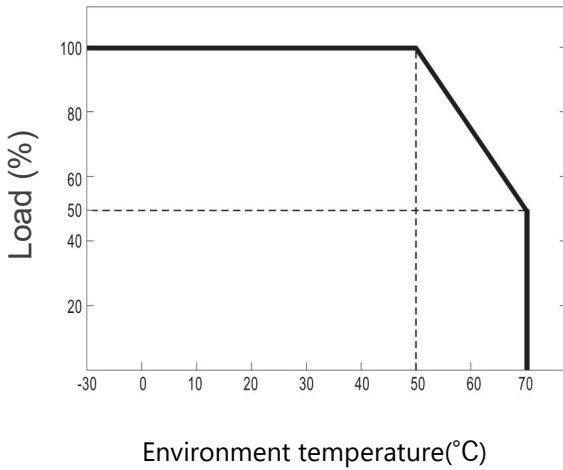
ADMISSIBLE DIN-RAIL: TS35/7.5 OR TS35/15

YSD30S SERIES

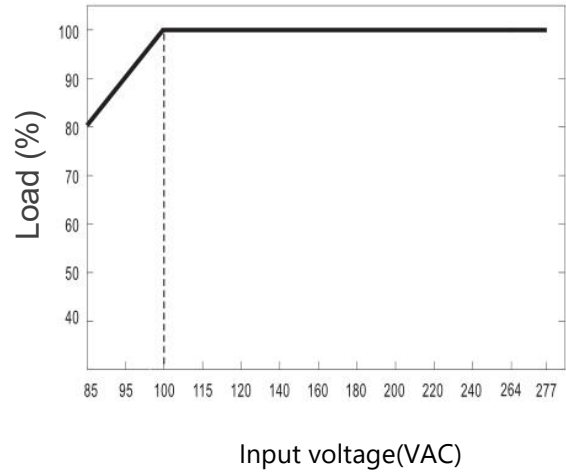
MODEL DETAIL SPEC.		YSD30S-0503000	YSD30S-1202000	YSD30S-1502000	YSD30S-2401250	YSD30S-4800625
INPUT	Input Voltage:	85-264VAC				
	Input Frequency:	47/63Hz				
	Inrush Current:	25A/115VAC 45A/230VAC				
	AC Current:	0.88A/115VAC 0.21A/230VAC				
	Leakage Current:	< 0.25mA/240VAC				
	Efficiency:	82%	88%	89%	89%	90%
OUTPUT	DC Voltage:	5V	12V	15V	24V	48V
	Rated Current:	3A	2A	2A	1.25A	0.625A
	Rated Power:	15W	24W	30W	30W	30W
	Voltage Tolerance:	±5%	±5%	±5%	±5%	±5%
	Ripple and Noise:	80mVp-p	120mVp-p	120mVp-p	150mVp-p	240mVp-p
	Line Regulation:	±1%	±1%	±1%	±1%	±1%
	Load Regulation:	±1%	±1%	±1%	±1%	±1%
	Setup, Rise, Hold Up time:	500mS/ 50mS/ 12mS (115V/60HZ MAX ROAD) 500mS/ 50mS/ 30mS (230V/50HZ MAX ROAD)				
ENVIRONMENTAL	Operating Temperature:	-20°C to 50°C, Full Load, Normal Operation				
	Storage Temp:	-40°C to 80°C				
	Storage Humidity:	10 ~ 95% RH				
	Working Humidity:	20% ~ 90% RH Non-Condensing				
PROTECTION	Over Load:	>130%-200% Rated Output Power				
		Protection type: Hiccup Mode- recovers automatically after fault condition is removed				
	Over Voltage:	110~145%				
		Protection Type: Clamp by Zener diode				
	Short Circuit:	Protection to Zero Voltage				
Over Current:	110%-180%					
SAFETY & EMC	Safety Regulations:	UL62368-1, IEC62368-1, EN62368-1				
	Withstand Voltage:	I/P-O/P: 3KVAC				
	Isolation Resistance:	I/P-O/P: 100M Ohms / 500VDC / 25 / 70% RH				
	EMC Emission:	EN55032(CISPR32), CNS13438 Class B, EN61000-3-2 Class A, EN61000-3-3, EN61000-4-2,3,4,5,6,8,11, EN55024, EN55035, EN61000-6-2, EN61204-3				
OTHER	MTBF:	200,000 Hours Minimum at Full Load at 25°C Ambient				
	Size:	90*35*58mm				
	Weight:	12g / pcs				
	Packaging:	100PCS/CTN				

YSD30S SERIES

Deduction curve and temperature



Minus output and input voltage curves



Functional Diagram

