

YSD150S SERIES



Input:85-264VAC 50/60Hz
Output Voltage: 12V-48V DC
Rated Power :150W max

Features

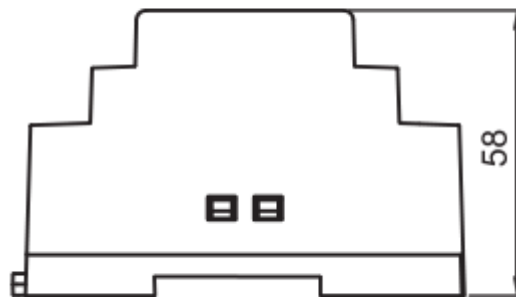
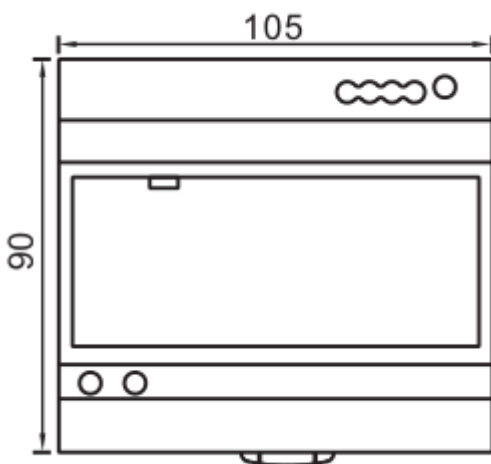
1. High Efficiency
2. 100% Full Load Burn-In
3. Low Ripple & Noise
4. Adjustable DC Voltage Output
5. Protections: Overload / Over Voltage / Short Circuit
6. Three-year Warranty
7. Isolation Class II

Application

- Access Control
- Home Control System
- Automation
- Communication Equipment
- Industrial Control Systems

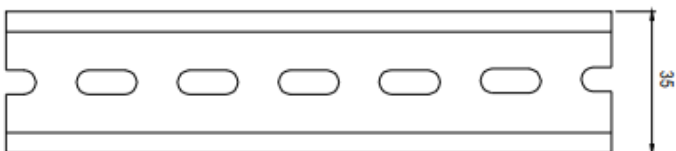
UL[®] **CE** **CB** **RoHS**

■ Dimensions and Installation



Terminal Pin No. Assignment

Pin No.	Assignment	Pin No.	Assignment
1	AC/L	3, 4	- V _I
2	AC/N	5, 6	+ V _O



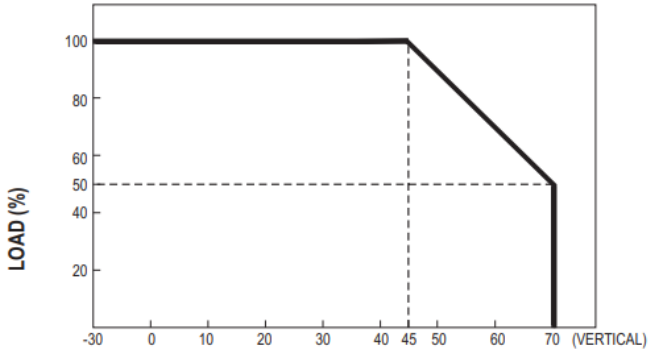
ADMISSIBLE DIN-RAIL: TS35/7.5 OR TS35/15

YSD150S SERIES

MODEL DETAIL SPEC.		YSD150S-12	YSD150S-15	YSD150S-24	YSD150S-48
INPUT	Input Voltage:	90-264VAC			
	Input Frequency:	47/63Hz			
	Inrush Current:	35A/115VAC 70A/230VAC			
	AC Current:	3A/115VAC 1.6A/230VAC			
	Leakage Current:	< 0.25mA/240VAC			
	Efficiency:	88%	89%	90%	91%
OUTPUT	DC Voltage:	12V	15V	24V	48V
	Rated Current: 115VAC	10A	8A	5A	2.5A
	Rated Current: 230VAC	11A	9.5A	6.25A	3.125A
	Rated Power: 110VAC	120W	120W	120W	120W
	Rated Power: 230VAC	132W	142.5W	150W	150W
	Voltage Tolerance:	±2%	±2%	±2%	±2%
	Ripple and Noise:	120mVp-p	120mVp-p	150mVp-p	240mVp-p
	Line Regulation:	±1%	±1%	±1%	±1%
	Load Regulation:	±1%	±1%	±1%	±1%
	Setup, Rise, Hold Up time:	500mS/ 80mS/ 12mS (115V/60HZ MAX ROAD) 500mS/ 80mS/ 30mS (230V/50HZ MAX ROAD)			
ENVIRONMENTAL	Operating Temperature:	-20°C to 50°C, Full Load, Normal Operation			
	Storage Temp:	-40°C to 80°C			
	Storage Humidity:	10 ~ 95% RH			
	Working Humidity:	20% ~ 90% RH Non-Condensing			
PROTECTION	Over Load:	>130%-200% Rated Output Power			
		Protection type: Hiccup Mode- recovers automatically after fault condition is removed			
	Over Voltage:	110~145%			
		Protection Type: Clamp by Zener diode			
	Short Circuit:	Protection to Zero Voltage			
Over Current:	110%-180%				
SAFETY & EMC	Safety Regulations:	UL62368-1, IEC62368-1, EN62368-1			
	Withstand Voltage:	I/P-O/P: 3KVAC			
	Isolation Resistance:	I/P-O/P: 100M Ohms / 500VDC / 25 / 70% RH			
	EMC Emission:	EN55032(CISPR32), CNS13438 Class B, EN61000-3-2 Class A, EN61000-3-3, EN61000-4-2,3,4,5,6,8,11, EN55024, EN55035, EN61000-6-2, EN61204-3			
OTHER	MTBF:	200,000 Hours Minimum at Full Load at 25°C Ambient			
	Size:	90*105*58mm			
	Weight:	500g / pcs			
	Packaging:	20PCS/CTN			

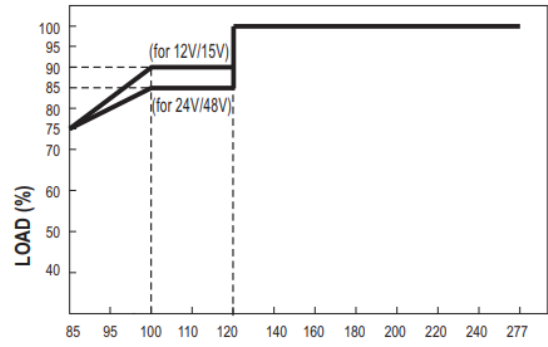
YSD150S SERIES

Deduction curve and temperature



Environment temperature(°C)

Minus output and input voltage curves



Input voltage(VAC)

Functional Diagram

