

YS12B SERIES



Input: 100-240VAC 50/60Hz
 Output Voltage: 5V-36V DC
 Rated Power: 12W max

Features

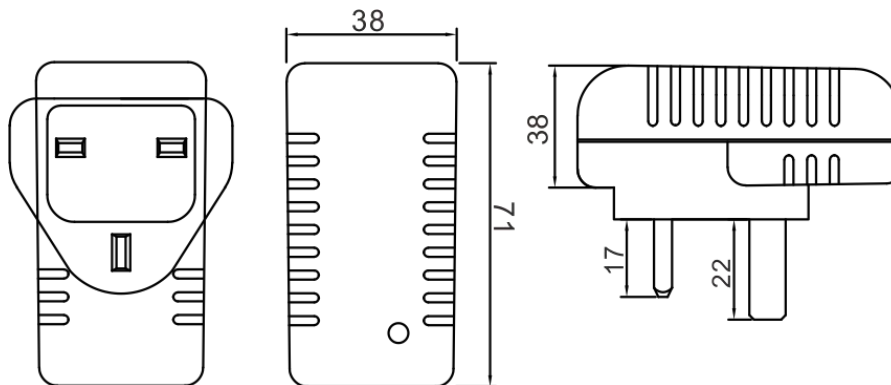
Univeral AC input/ Full range
 Energy efficiency level VI
 Leakage Current: < 0.25mA
 Extremely low leakage current
 Protection:Over load/Over voltage/Short circuit
 Withstand voltage : 3KV
 Life Warranty: 3 years

Application

Digital equipment
 Electric curtains
 Kitchen appliances
 Household appliances



■ Dimensions and Installation

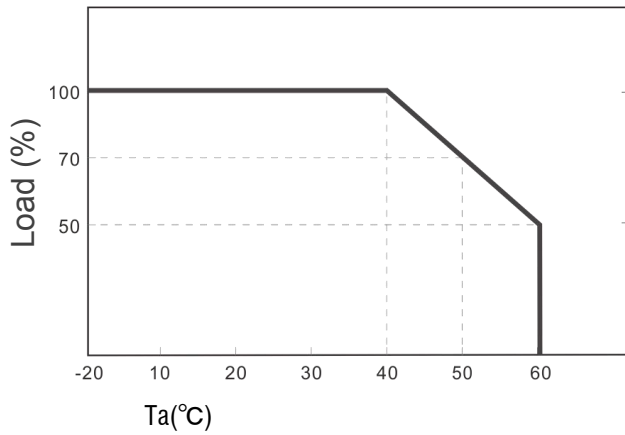


YS12B SERIES

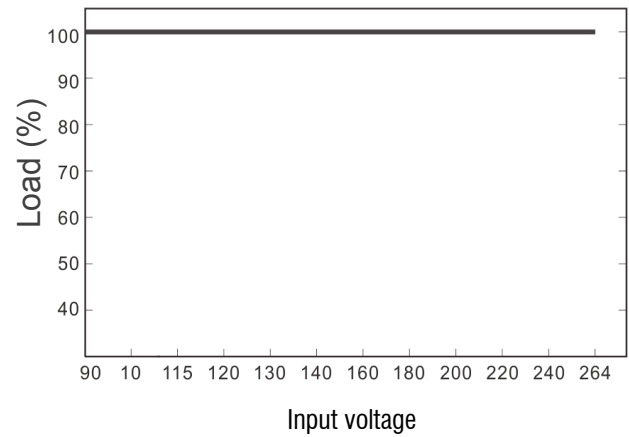
MODEL DETAIL SPEC.		YS12-0502000	YS12-0602000	YS12-0751500	YS12-0901300	YS12-1201000	YS12-1500800	YS12-2400500	YS12-3600350
INPUT	Input Voltage:	100-240VAC							
	Input Frequency:	50/60Hz							
	Inrush Current:	30 Amps max. at 230VAC/50Hz,full load							
	AC Current:	0.26A max.							
	Leakage Current:	0.25mA Max. at 264VAC input							
	Efficiency:	79%	80.3%	82.89%	83.12%	83.26%	83.26%	83.26%	83.54%
OUTPUT	DC Voltage:	5V	6V	7.5V	9V	12V	15V	24V	36V
	Rated Current:	2A	2A	1.5A	1.3A	1A	0.8A	0.5A	0.35A
	Rated Power:	10W	12W	11.25W	11.7W	12W	12W	12W	12.6W
	Voltage Tolerance:	±5.0%	±5.0%	±5.0%	±5.0%	±5.0%	±5.0%	±5.0%	±5.0%
	Ripple and Noise:	100mVp-p	100mVp-p	100mVp-p	100mVp-p	120mVp-p	150mVp-p	240mVp-p	360mVp-p
	Line Regulation:	±3%							
	Load Regulation:	±5%	±5%	±5%	±5%	±5%	±5%	±5%	±5%
	Setup, Rise, Hold Up time:	500ms, 30ms/120ms 230VAC 1000ms, 30ms/25ms 115VAC at full load							
ENVIRONMENTAL	Operating Temperature:	-20 ~ +60 (Refer to "Derating Curve")							
	Storage Temp:	-40°C ~ 85°C							
	Storage Humidity:	10 ~ 95% RH							
	Working Humidity:	20 ~ 95% RH non-condensing							
PROTECTION	Over Load:	Above 105% rated output power Protection type: Hiccup mode, recovers automatically after fault condition is removed							
	Over Voltage:	5V:5.75~ 6.75V 6V: 6.7~8.1V 9V: 10.35~12.15V 12V:13.8 ~ 16.2V 15V:17.25 ~ 20.25V 24V:27.6 ~ 32.4V 36V: 41.4~48.6V Protection type: Shut down o/p voltage, re-power on to recover							
	Over Temperature:	Shut down o/p voltage, re-power on to recover							
SAFETY & EMC	Safety Regulations:	UL508, TUV BS EN/EN62368-1, EAC TP TC 004, BSMI CNS14336-1, AS/NZS 62368.1 approved							
	Withstand Voltage:	I/P-O/P:3KVAC I/P-FG:2KVAC O/P-FG:0.5KVAC							
	Isolation Resistance:	I/P-O/P, I/P-FG, O/P-FG:100M Ohms / 500VDC / 25°C/ 70% RH							
	EMC Emission:	Compliance to BS EN/EN55032 (CISPR32), BS EN/EN61204-3 Class B, BS EN/EN61000-3-2,-3, EAC TP TC 020, CNS13438 Class B							
OTHER	Size:	59*39*36.5mm							
	Weight:	65g / pcs							
	Packaging:	100PCS/CTN							

YS12 SERIES

Deduction curve and temperature










Minus output and input voltage curves



■ Functional Diagram

Standard plug: P1J

P1J		Pin Assignment
		
		Outside    Inside -V not connected to AC FG (standard) -V connected to AC FG (optional)


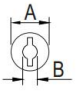
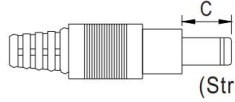
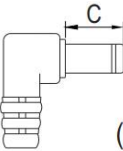

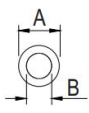
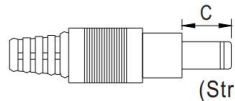
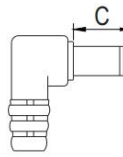

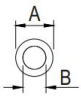
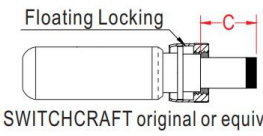

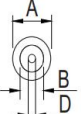
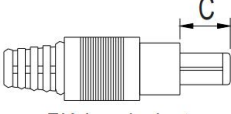

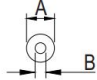
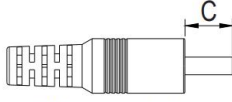
DC plug changeable through:

- (1) Customization of the standard part with an optional DC plug according to the table (MOQ applicable)
 - (2) Quick adapter accessory (sold separately without MOQ)
- Please refer to below table and online selection guide :

Example quick adapter accessory:


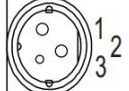
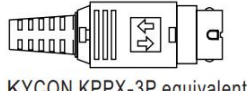

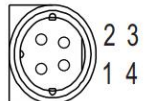
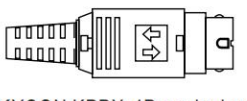


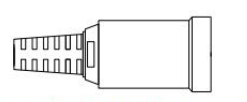


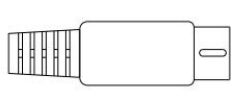


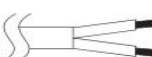
YS12 SERIES

Optional DC plug: (Available in customized cable or quick adapter)

Tuning Fork Style		Type No.	A	B	C	Quick Adapter Accessory	
			OD	ID	L		
   (Straight)	P1I	5.5	2.1	9.5	Available (Current rating: 7.5A max.)		
	P1L	5.5	2.5	9.5			
	P1M	5.5	2.1	11.0			
	 (Right-angled)	P1IR	5.5	2.5		9.5	
		P1JR	5.5	2.1		11.0	
		P1LR	5.5	2.5		9.5	
		P1MR	5.5	2.5		11.0	
Barrel Style		Type No.	A	B	C	Quick Adapter Accessory	
			OD	ID	L		
   (Straight)	P2I	5.5	2.1	9.5	None		
	P2J	5.5	2.1	11.0			
	P2L	5.5	2.5	9.5			
	P2M	5.5	2.1	11.0			
	 (Right-angled)	P2IR	5.5	2.5		9.5	
		P2JR	5.5	2.1		11.0	
		P2LR	5.5	2.5		9.5	
P2MR		5.5	2.5	11.0			
Lock Style		Type No.	A	B	C	Quick Adapter Accessory	
			OD	ID	L		
   Floating Locking SWITCHCRAFT original or equivalent	P2S(S761K)	5.53	2.03	12.06	None		
	P2K(761K)	5.53	2.54	12.06			
	P2C(S760K)	5.53	2.03	9.52			
	P2D(760K)	5.53	2.54	9.52			
Center Pin Style		Type No.	A	B	C	D	Quick Adapter Accessory
			OD	ID	L	Center Pin	
   EIAJ equivalent	P4A	5.5	3.4	11.0	1.0	Available (Current rating: 7.5A max.)	
	P4B	6.5	4.4	11.0	1.4		
	P4C	7.4	5.1	11.0	0.6		
Min. Pin Style		Type No.	A	B	C	Quick Adapter Accessory	
			OD	ID	L		
   EIAJ equivalent	P3A	2.35	0.7	11.0	Available (Current rating: 5A max.)		
	P3B	4.0	1.7	11.0			
	P3C	4.75	1.7	11.0			

YS12 SERIES

Optional DC plug: (Available in customized cable or quick adapter)

Tuning Fork Style	Type No.	Pin Assignment		Quick Adapter Accessory
		PIN No.	Output	
   <p>KYCON KPPX-3P equivalent</p>	R6B	1	+Vo	Available (Current rating: 7.5A max.)
		2	-Vo	
		3	+Vo	
Barrel Style	Type No.	Pin Assignment		Available (Current rating: 7.5A max.)
   <p>KYCON KPPX-4P equivalent</p>	R7B	PIN No.	Output	
		1	+Vo	
		2	-Vo	
		3	-Vo	
		4	+Vo	
Lock Style	Type No.	Pin Assignment		None
   <p>KYCON KPJX-CM-4S equivalent</p>	R7BF	PIN No.	Output	
		1	+Vo	
		2	-Vo	
		3	-Vo	
		4	+Vo	
Center Pin Style	Type No.	Pin Assignment		Available (Current rating: 7.5A max.)
  	R1B	PIN No.	Output	
		1	-Vo	
		2	-Vo	
		3	+Vo	
		4	-Vo	
		5	+Vo	
Center Pin Style	Type No.	Pin Assignment		None
  	by customer	PIN No.	Output	
		1	+Vo	
		2	-Vo	