

YSD120 SERIES



Input:90-264VAC 50/60Hz
 Output Voltage: 12V-48V DC
 Rated Power :120W max

Features

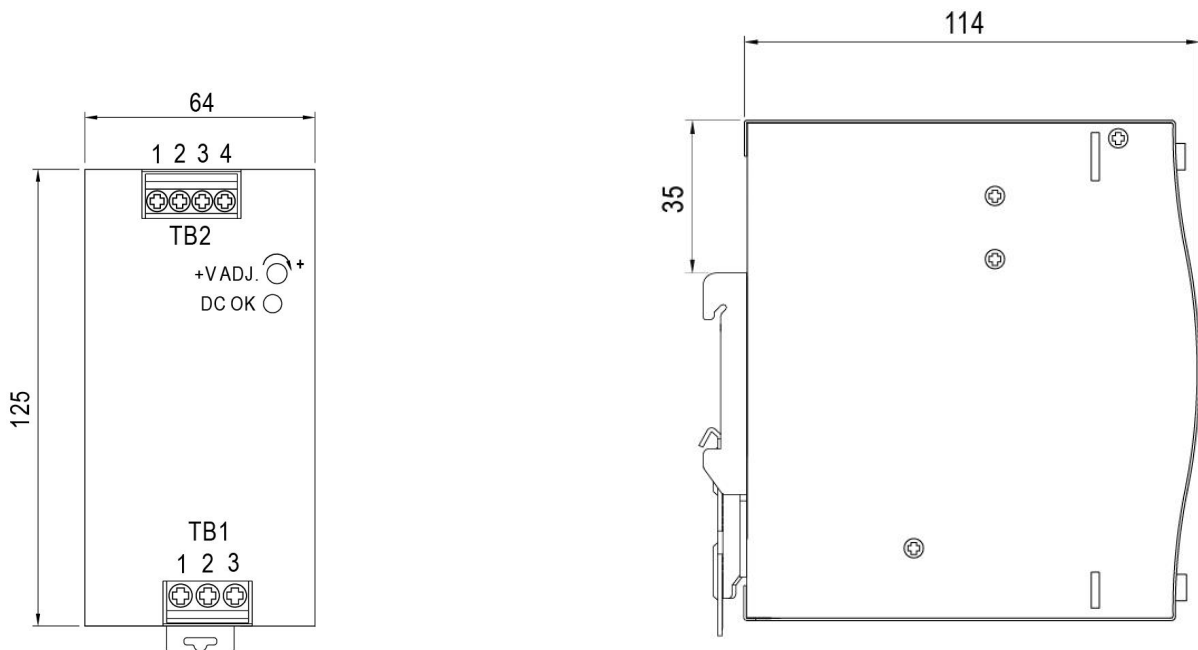
1. International universal full range of exchange input
2. Protection type: over load/over voltage/over temperature
3. DC output voltage adjustable
4. Cooling by free air convection
5. Installed on DIN rail TS-35 / 7.5 or 15
6. UL 508 (Industrial Control Equipment) certified
7. EN61000-6-2(EN50082-2) Industrial immunity
8. 100% full load burn-in test
9. Three years warranty

Application

Industrial Control Systems



■ Dimensions and Installation

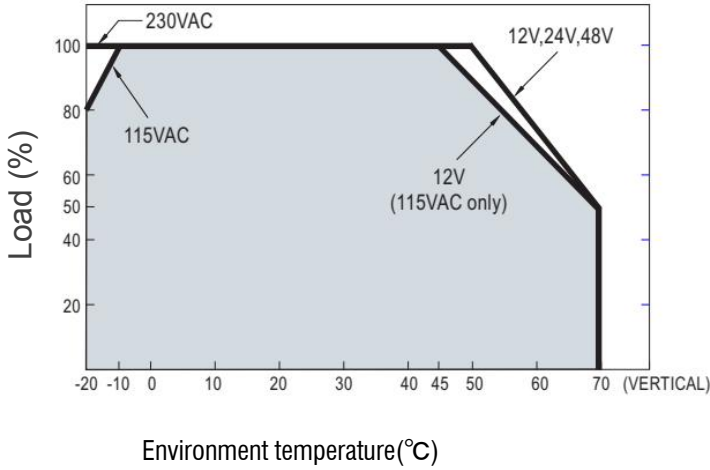


YSD120 SERIES

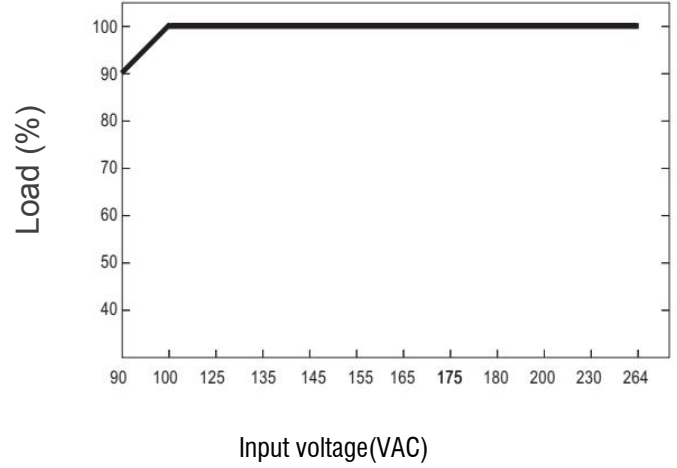
| MODEL DETAIL SPEC. | | YSD120-12010000 | YSD120-2405000 | YSD120-4802500 | | |
|--------------------|---|---|----------------|----------------|--|--|
| INPUT | Input Voltage: | 85-264VAC | | | | |
| | Input Frequency: | 50/60Hz | | | | |
| | Inrush Current: | 50Amps max. at 230VAC/50Hz, full load | | | | |
| | AC Current: | 2.25A/115VAC 1.3A/230VAC | | | | |
| | Leakage Current: | < 50 μ A | | | | |
| | Efficiency: | 85.5% | 88% | 89% | | |
| OUTPUT | DC Voltage: | 12V | 24V | 48V | | |
| | Rated Current: | 10A | 5A | 2.5A | | |
| | Rated Power: | 120W | 240W | 480W | | |
| | Voltage Tolerance: | \pm 5% | \pm 5% | \pm 5% | | |
| | Ripple and Noise: | 100mVp-p | 120mVp-p | 240mVp-p | | |
| | Line Regulation: | \pm 5% | \pm 5% | \pm 5% | | |
| | Load Regulation: | \pm 3% | \pm 3% | \pm 3% | | |
| | Setup, Rise, Hold Up time: | 3s/40ms/12ms at full load | | | | |
| ENVIRONMENTAL | Operating Temperature: | -20 $^{\circ}$ C to 70 $^{\circ}$ C, (Refer to "Derating Curve") | | | | |
| | Storage Temp: | -40 $^{\circ}$ C to 85 $^{\circ}$ C | | | | |
| | Storage Humidity: | 10 ~ 95% RH | | | | |
| | Working Humidity: | 20% ~ 90% RH Non-Condensing | | | | |
| PROTECTION | Over Load: | 110%-160% rated output power | | | | |
| | | Protection type: Hiccup Mode- recovers automatically after fault condition is removed | | | | |
| | Over Voltage: | 12V:14 ~ 17V 24V:29 ~ 33V 48V:56 ~ 65V | | | | |
| | | Protection Type: Clamp by Zener diode | | | | |
| | Short Circuit: | Protection to Zero Voltage | | | | |
| Over Temperature: | Shut down o/p voltage, re-power on to recover | | | | | |
| SAFETY & EMC | Safety Regulations: | UL508, TUV EN62368-1, EAC TP TC 004,BSMI CNS14336-1 | | | | |
| | Withstand Voltage: | I/P-O/P:3KVAC I/P-FG:2KVAC O/P-FG:0.5KVAC | | | | |
| | Isolation Resistance: | I/P-O/P, I/P-FG, O/P-FG:> 100M Ohms / 500VDC / 25 / 70% RH | | | | |
| | EMC Emission: | EN55032,EN61204-3,EN61000-3-2,EN61000-6-2, EAC TP TC 020 | | | | |
| OTHER | MTBF: | 100,000 Hours Minimum at Full Load at 25 $^{\circ}$ C Ambient | | | | |
| | Size: | 41*125*114mm | | | | |
| | Weight: | 600g / pcs | | | | |
| | Packaging: | 20PCS/CTN | | | | |

YSD120 SERIES

Deduction curve and temperature



Minus output and input voltage curves



Functional Diagram

