

**YSD240 SERIES**



**Input:**90-264VAC 50/60Hz  
**Output Voltage:** 12V-48V DC  
**Rated Power :**240W max

**Features**

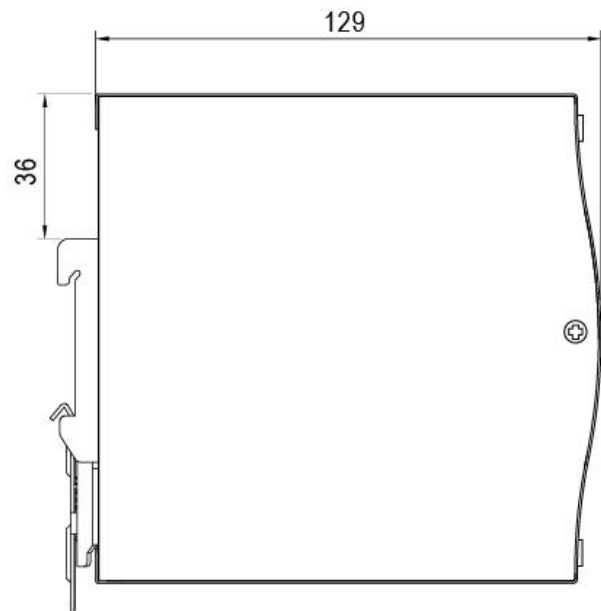
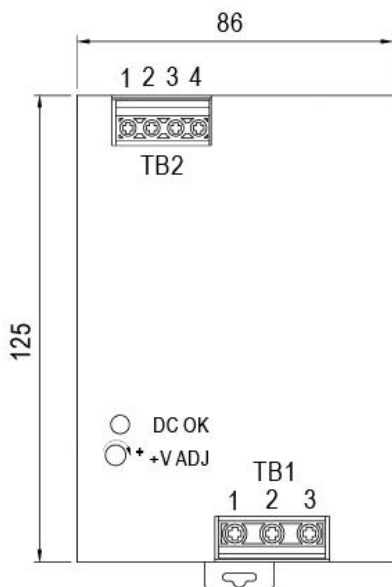
1. International universal full range of exchange input
2. Protection type: over load/over voltage/over temperature
3. DC output voltage adjustable
4. Cooling by free air convection
5. Installed on DIN rail TS-35 / 7.5 or 15
6. UL 508 (Industrial Control Equipment) certified
7. EN61000-6-2(EN50082-2) Industrial immunity
8. 100% full load burn-in test
9. Three years warranty

**Application**

Industrial Control Systems



**■ Dimensions and Installation**

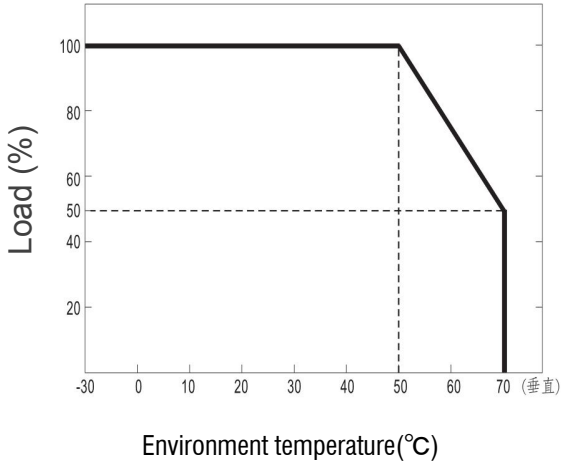


**YSD240 SERIES**

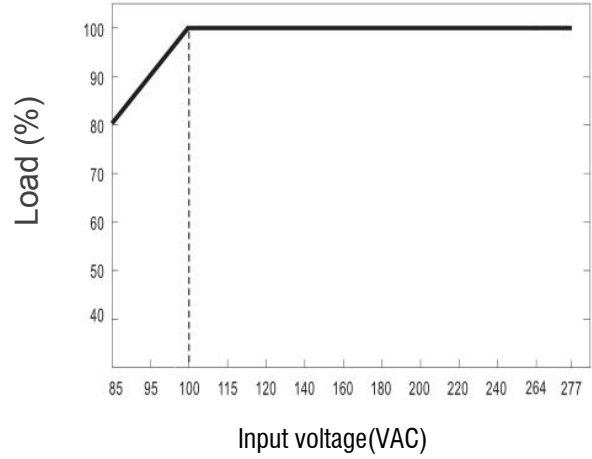
MODEL DETAIL SPEC.			YSD240-24010000	YSD150-4805000		
INPUT	Input Voltage:	90-264VAC				
	Input Frequency:	47/63Hz				
	Inrush Current:	20A/115VAC 35A/230VAC				
	AC Current:	2.5A/115VAC 1.3A/230VAC				
	Leakage Current:	< 0.25mA/240VAC				
	Efficiency:		88.5%	90%		
OUTPUT	DC Voltage:		24V	48V		
	Rated Current:		10A	5A		
	Rated Power:		240W	240W		
	Voltage Tolerance:		±5%	±5%		
	Ripple and Noise:		240mVp-p	4800mVp-p		
	Line Regulation:		±3%	±3%		
	Load Regulation:		±1%	±1%		
	Setup, Rise, Hold Up time:	500mS/80mS/12mS(115V/60HZ MAX ROAD), 500mS/80mS/30mS(230V/50HZ MAX ROAD)				
ENVIRONMENTAL	Operating Temperature:	-20°C to 60°C, (Refer to "Derating Curve")				
	Storage Temp:	-40°C to 85°C				
	Storage Humidity:	10 ~ 95% RH				
	Working Humidity:	20% ~ 90% RH Non-Condensing				
PROTECTION	Over Load:	110%-160% rated output power				
		Protection type: Hiccup Mode- recovers automatically after fault condition is removed				
	Over Voltage:	24V:29 ~ 33V 48V:56 ~ 65V				
		Protection type : Shut down o/p voltage, re-power on to recover				
	Short Circuit:	Protection to Zero Voltage				
Over Temperature:	Shut down o/p voltage, re-power on to recover					
SAFETY & EMC	Safety Regulations:	UL508, TUV EN62368-1, EAC TP TC 004,BSMI CNS14336-1				
	Withstand Voltage:	I/P-O/P:3KVAC I/P-FG:2KVAC O/P-FG:0.5KVAC				
	Isolation Resistance:	I/P-O/P, I/P-FG, O/P-FG:>100M Ohms / 500VDC / 25 / 70% RH				
	EMC Emission:	EN55032,EN61204-3,EN61000-3-2,EN61000-6-2, EAC TP TC 020				
OTHER	MTBF:	200,000 Hours Minimum at Full Load at 25°C Ambient				
	Size:	64*125*114mm				
	Weight:	1Kg / pcs				

**YSD240 SERIES**

**Deduction curve and temperature**



**Minus output and input voltage curves**



**Functional Diagram**

